

Showcard stands & holders



- Showcard stands
- BD-Models
- Gallow stands
- Showcard holders



* The following showcard stands do all come with frames for poster insert on the short side.

Showcard stand N



With base made of stainless steel for a safe stand. Also available with fixed chromium tube 310 mm (see price list).

Rectangular stainless steel base, chromium tube Ø 12 mm, adjustable from 320 to 620mm, frame, t-piece and tube holder made of plastics in OEK standard colours, cream, ultramarine blue, light red, brown, chromium

- A5**
33045-xx.....SU 1
- A4**
33044-xx.....SU 1
- A3**
33043-xx.....SU 1
- A2**
33042-xx.....SU 1

Showcard stand NT



With plastic tube and coloured tube fixing, especially suitable for outdoor use and humid areas. Also available with adjustable chromium tube.

Showcard stand NT with plastic tube

Trapezoid shaped stainless steel base, white plastic tube, adjustable from 320 to 620 mm, frame, t-piece, tube fixing and holder made of plastics in OEK standard colours.

- A5**
34085-xx/01.....SU 1
- A4**
34084-xx/01.....SU 1
- A3**
34083-xx/01.....SU 1



Showcard stand NT with chromium tube



Trapezoid shaped stainless steel base with tube holder insert to take chromium tube Ø 12 mm, adjustable from 320 to 620 mm, frame, t-piece and tube holder made of plastics in OEK standard colours.

- A5**
34055-xx.....SU 1
- A4**
34054-xx.....SU 1
- A3**
34053-xx.....SU 1





Showcard stand BK

With stable lever clamp, especially recommended for larger and heavier frames.

Rectangular, plastic-coated metal base in grey, chromium tube adjustable from 320 to 620mm with lever clamp and tube holder in grey, frame and t-piece made of plastics in OEK standard colours.

- A5**
33155-xx.....SU 1
- A4**
33154-xx.....SU 1
- A3**
33153-xx.....SU 1
- A2**
33152-xx.....SU 1



Showcard stand SK

With black, glass-fibre reinforced plastic tube, especially insensitive to corrosion, suitable for areas with high humidity such as garden centres or cold-storage rooms.

Rectangular, plastic-coated metal base in black, glass-fibre reinforced black plastic tube adjustable from 320 to 620 mm with tube holder in black, frame and t-piece made of plastics in OEK standard colours.

- A5**
33265-xx.....SU 1
- A4**
33264-xx.....SU 1
- A3**
33263-xx.....SU 1
- A2**
33262-xx.....SU 1

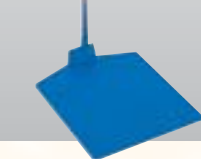


Showcard stand KB

Plastic base with metal inlay for enormous stability. Also available with fixed chromium tube 310 mm (see price list).

Stable rectangular base made of plastics with galvanised metal inlay, chromium tube adjustable from 320 to 620 mm, frame, t-piece and base made of plastics in OEK standard colours.

- A5**
33625-xx.....SU 1
- A4**
33624-xx.....SU 1
- A3**
33623-xx.....SU 1
- A2**
33622-xx.....SU 1



Showcard stand K



The popular classical stand with unbreakable plastic base and centre tube guide. Also available with fixed chromium tube 310 mm (see price list).

Rectangular base made of plastics, chromium tube adjustable from 320 to 620 mm, frame, t-piece and base made of plastics in OEK standard colours.

- A5**
33525-xx.....SU 1
- A4**
33524-xx.....SU 1
- A3**
33523-xx.....SU 1

Upon request this model is also available with K base and additional metal inlay.

Showcard stand L



With the patented "Levistor" rubber plate underneath, sucking to all smooth surfaces. Thus being especially suitable for sales desks and shelves. Also available with fixed chromium tube 310 mm (see price list).

Round base Ø 160 mm made of white plastics with patented "Levistor" rubber plate, chromium tube adjustable from 320 to 620 mm, frame and t-piece made of plastics in OEK standard colours. With grey and black frames, base will be supplied in the same colour.

- A5**
33425-xx.....SU 1
- A4**
33424-xx.....SU 1
- A3**
33423-xx.....SU 1
- A2**
33422-xx.....SU 1



Showcard stand FL



This model is offering maximum flexibility for a presentation independent from frame sizes.

Combine the FL holder with one of our other bases and tubes (see chapter components) and you will realise your individual requirements.

Rectangular stainless steel base with tube holder grey, chromium tube adjustable from 320 to 620 mm, FL-holder chromium plated with FL rod adjustable up to 470 mm, to take two posters with 2 mm thickness each and 120 to 420 mm height (up to size A3).

- Showcard stand FL**
34707-35.....SU 1



Showcard stand BD

With heavy, powder-coated metal base for enormous stability and thus especially recommended for large frames. Special designs will offer a variety of application possibilities for these models.

Model BD

BD base Ø 255 mm white, chromium tube adjustable from 100 to 170 cm, t-piece and frame made of plastics in OEK standard colours. With grey, black and silver frames, base will be supplied in the same colour.

- A4**
33314-xx.....SU 1
- A3**
33313-xx.....SU 1
- A2**
33312-xx.....SU 1



Alu-BD "flag" A2

BD base Ø 345 mm silvergrey, alu-tube adjustable 130-250 cm, with 2 tube clips (223) clear, showcard frame A2 in OEK standard colours.

- 33352-33/-2500/xx.....SU 1



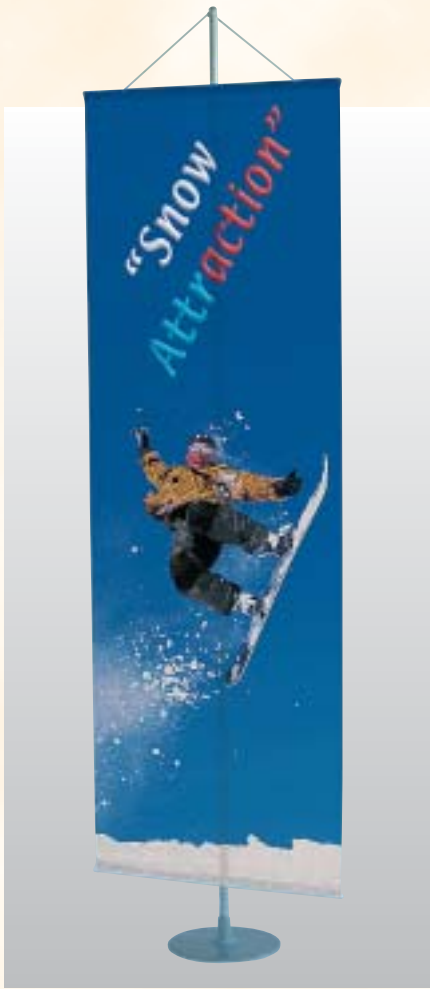
Leaflet holder A4 (set)

To be mounted to BD stand, made of polystyrene, clear. BD stand to be ordered separately.

- 29402-00.....SU 1

NEW!





Alu-BD with flag suspension

BD base Ø 255 mm silvergrey, alu-tube adjustable 130-250 cm with bolt to suspend flags, banners or similiar.

33353-33/-2500/33.....SU 1

NEW!



Model BD Deko

BD base Ø 255 mm black, fixed alu-tube 900 mm or adjustable 100-190 cm with black hinge, Deko t-piece triangular and frame in Dekoline- & OEK standard colours.

- A4 fixed**
33344-xx.....SU 1
- A4 adjustable**
33344-xx/-1900.....SU 1
- A3 adjustable**
33343-xx/-1900.....SU 1



Gallow showcard stands

Gallow showcard stand N



Stainless steel base, fixed chromium tube 60 cm with 1 or 2 gallows Ø 10 mm, length 31 cm (without frame and tube clips).

With 1 gallow

38731-03/600SU 1

With 2 gallows

38631-03/600SU 1

Gallow showcard stand DK



DK holder (pair) grey, fixed chromium tube 60 cm, with 1 gallow Ø 10 mm, length 31 cm (without frame and tube clips).

38739-03/600SU 1

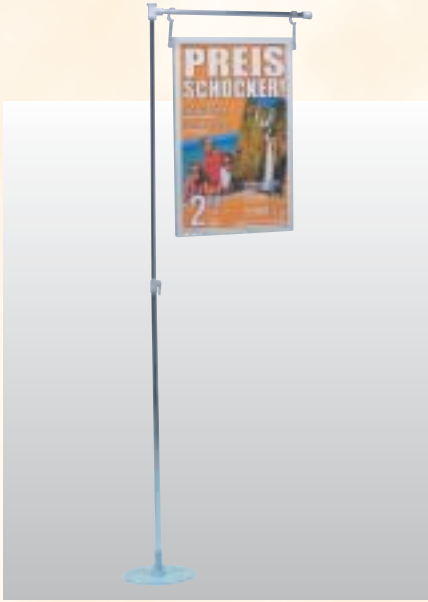
Gallow showcard stand magnet



Magnetic tube clips (pair) white, fixed chromium tube 60 cm with 1 gallow Ø 10 mm, length 31 cm (without frame and tube clips).

38750-01/600SU 1

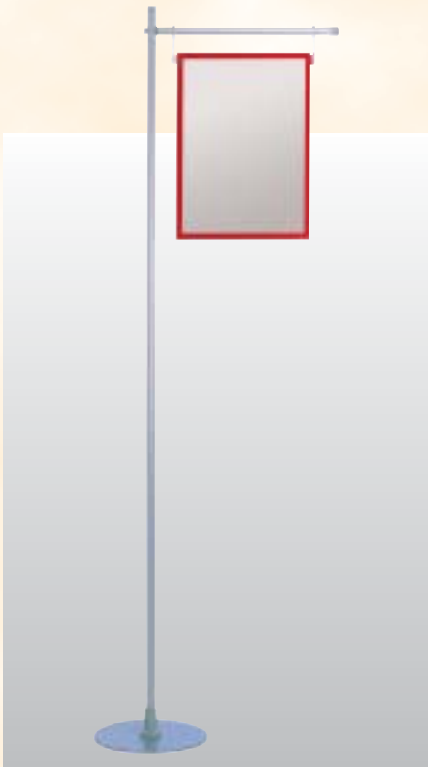




Gallow showcard stand BD

BD base Ø 160 mm silvergrey, chromium tube adjustable 60 - 120 cm with lever clamp, with 1 or 2 gallows Ø 10 mm, length 40 cm (without frame and tube clips).

- With 1 gallow**
38772-33/-1200.....SU 1
- With 2 gallows**
38672-33/-1200.....SU 1



Gallow showcard stand Alu BD fixed

BD base Ø 255 mm silvergrey, fixed alu-tube 160 cm with 1 or 2 gallows Ø 20 mm, length 40 cm (without frame and tube clips).

- With 1 gallow**
38410-33/1600.....SU 1
- With 2 gallows**
38420-33/1600.....SU 1

Gallow showcard stand Alu BD adjustable

BD base Ø 255 mm silvergrey, alu-tube adjustable 100-190 cm, with 1 or 2 gallows Ø 16 mm, length 40 cm (without frame and tube clips).

- With 1 gallow**
38411-33/-1900.....SU 1
- With 2 gallows**
38421-33/-1900.....SU 1

Showcard holder MF



The plastic base with 4 magnets for versatile use. According to frame size and application you can choose between 3 different connector lengths. With frame sizes larger than A3 we recommend to use 2 bases. Frames and t-pieces to be ordered separately.

MF magnetic base

Magnetic base with 4 magnets, grey.

Size: 100 x 40 cm

20370-03SU 1

MF connector 50 mm

Made of plastics, clear.

20170-00SU 1

MF connector 75 mm

20171-00SU 1

MF connector 110 mm

20172-00SU 1

Showcard holder RS



There will always be a place for this slim and flat RS base. Above all this model will be placed underneath products, thus offering a stable and not space consuming solution.

Slim base, frame and t-piece made of plastics in OEK standard colours

A6

33906-xxSU 1

A5

33905-xxSU 1

A4

33904-xxSU 1

A3

33903-xxSU 1



Showcard holder DK



DK holder can be used where no base will be possible - especially designed for attaching to wires.

Holder DK (pair), grey plastics, suits wires Ø 4 to 8 mm, with a minimum distance of 18 mm between vertical wires, chromium tube adjustable 320 - 620 mm, frame and t-piece in OEK standard colours.

- A5**
35425-xx.....SU 1
- A4**
35424-xx.....SU 1
- A3**
35423-xx.....SU 1



Showcard holder GW



This model is designed for use with sales stands with an integrated internal thread. Also possible with thread M10 and adjustable tube upon request.

Fixed chromium tube 310 mm with threaded bolt M8, frame and t-piece in OEK standard colours.

- A5**
35915-xx.....SU 1
- A4**
35914-xx.....SU 1
- A3**
35913-xx.....SU 1

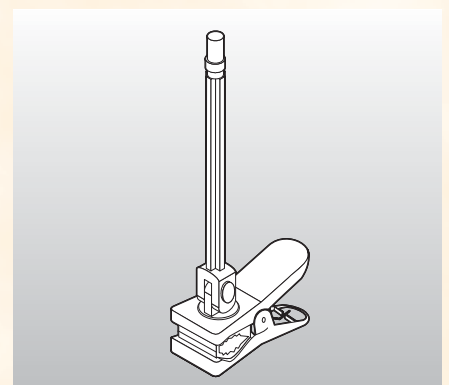
Clamp allrounder



The clamp allrounder will do any job! It fits to the most different sales stands, baskets and boxes - for a vertical, a horizontal or an inclined presentation. The advantage: the smooth rubber inlay prevents scratching the furniture.

Revolving clamp, clamp range from 8 to 34 mm, length of rod 155 mm, clamp and rod made of plastics, colours: white, red, brown. Showcard frame and t-piece to be ordered separately.

- Clamp allrounder**
20560-xx.....SU 1



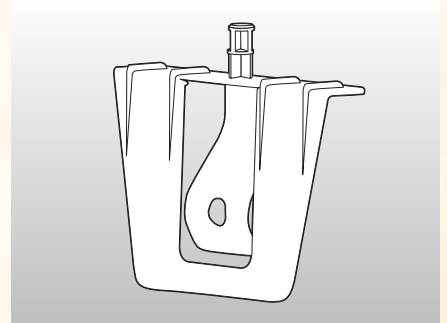
NEW!

Cardboard clamp 140

Hitting the bull's eye with your promotion! Extremely stable and big cardboard clamp to be used with frames up to size A3.

To attach frames to boxes, fruit baskets or similar with up to 22 mm wall thickness, set consisting of clamp 140 black with hinge, fixed chromium tube 160 mm or MF connector and t-piece in OEK standard colour. Frame to be ordered separately.

With chromium tube
35500-xx/160.....SU 1



With MF connector
35550-xx.....SU 1

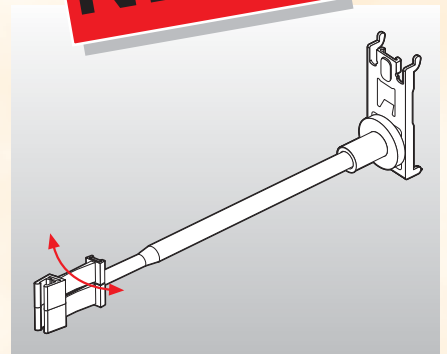


Shopper stopper for peg board

NEW!

To attach to pegboards with hole centres at 30 mm (corresponds to European standard), plug components zinc-plated with tube holder grey, fixed chromium tube 310 mm and elastic frame clips. The frame (series 100) is safely held and swings back into position after touching. Frame to be ordered separately.

21725-03/310.....SU 1



Made with OEK Know-how!



Top product-

and promotion ideas for builder's yards.

GUNTIA®
window-sill
gliding edge

- Plaster cracks?
- Heat expansion?
- Complaints?

- No problem with gliding edges!



Innovative ideas at the POS.
OECHSLE
Display Systeme GmbH

www.oechsle.de

Bubesheimer Straße 13-15
D-89340 Leipheim
Postfach 1149
D-89336 Leipheim

Tel: +49 (0) 82 21 / 27 98 - 0
Fax: +49 (0) 82 21 / 27 98 - 27
E-Mail: info@oechsle.de
Internet: www.oechsle.de

Please ask for our special brochure.