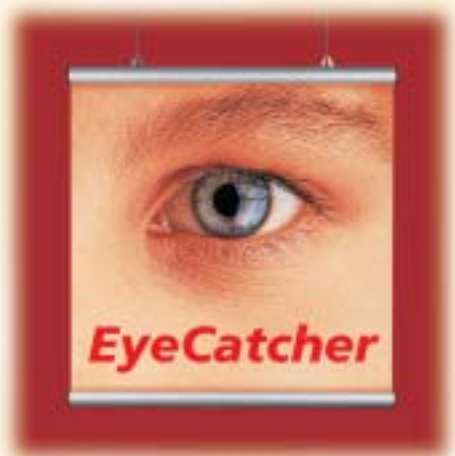


Suspension systems



- Poster rails with accessories
- Clamp- & snaprails



Poster rails with accessories

The OEK poster rails set your promotion going! Poster rails are available in three different designs. The extensive accessory range is offering countless options of application to perfectly placed showcard frames, displays, profile frames and more.

Poster rails can also be supplied in special colours. Prices and delivery times upon request.

Note:

Further elements suiting the poster rails you will find in chapter *accessories (series 500)*.

Poster rail round tube



Alu-anodised tube Ø 20 mm, standard length 200 cm

Alu-anodised

57810-91/xxxx.....SU 10

White

57810-01/xxxx.....SU 10

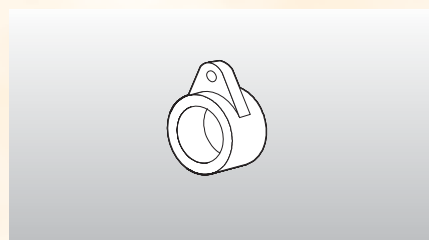
Black

57810-10/xxxx.....SU 10

Suspension ring (535)

To suspend poster rail round tube, grey

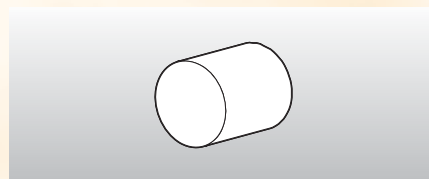
57835-03.....SU 10



End cap (536)

Suits poster rail round tube, for a neat closing, grey

57830-03.....SU 10



Tube clip, swivel type (pair)

To suspend frames from round rails, clip Ø 22 mm, clear

series 100 (172)

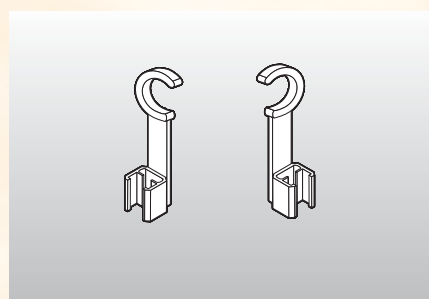
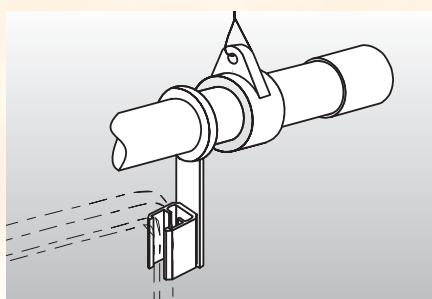
21610-00.....SU 10

series 200 (272)

22610-00.....SU 10

series 500 (572)

25521-00.....SU 10

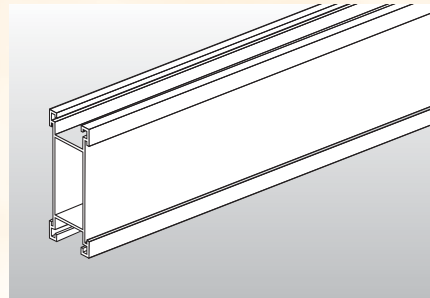


Poster rail II



Anodised aluminium, profile 20x40 mm, insert for promotional card strips with 32 mm height, standard lengths 100, 200 and 300 cm. Special colours upon request.

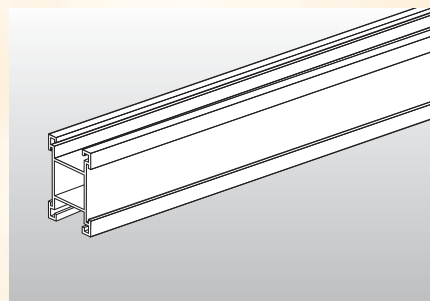
15402-90/xxxx.....SU 10



Poster rail III

Anodised aluminium, profile 20x20 mm, standard lengths 100, 200 and 300 cm. Special colours upon request.

15403-90/xxxx.....SU 10

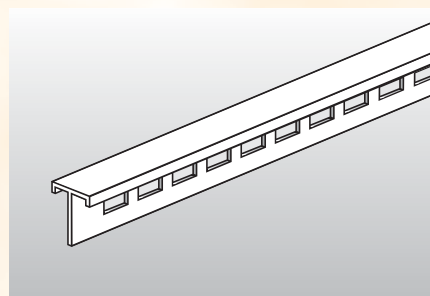


Grip strip



To put into poster rail II and III, it will allow for a quick and easy changing of your information, clear plastics, lengths 100 and 200 cm. Packing unit: 10 pcs.

22570-xxxx.....SU 10

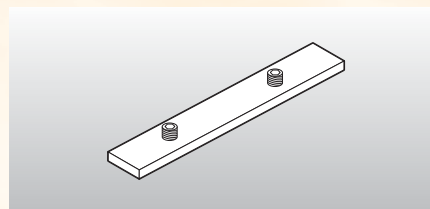


Suspension systems
POSTER RAILS W. ACCESSORIES

Connector (515)

To connect two single rails, suits poster rail II and III, zinc coated with two metallic thread pins. With poster rail II we recommend using two connectors.

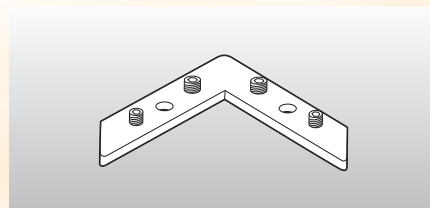
25610-00SU 10



Corner connector 90° (516)

Suits poster rail II and III, to connect two rails with mitred corners, zinc coated with four metallic thread pins. With poster rail II we recommend using two connectors.

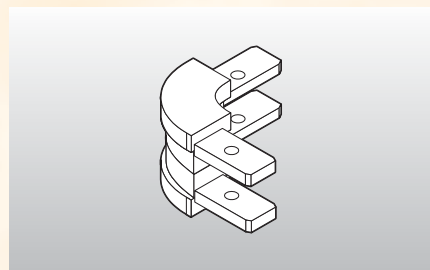
25620-00SU 10



Corner connector (555), 2-part

Suits poster rail II, to connect two rails without mitred corners in a 90° angle, 2-part with screws, grey

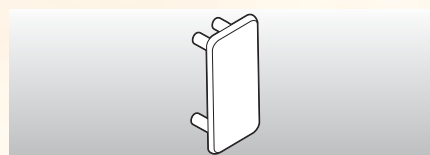
25650-03SU 10



End cap (512)

Suits poster rail II, for a neat closing, grey

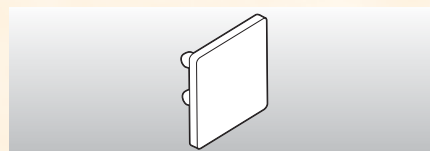
25670-03SU 10



End cap (517)

Suits poster rail III, for a neat closing, grey

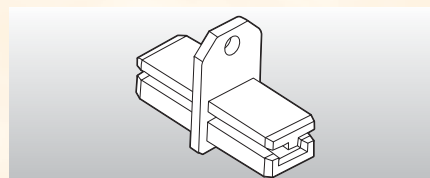
25680-03SU 10



Connector with ring (533)

Suits poster rail III, to connect two rails while suspending them by the integrated ring, grey

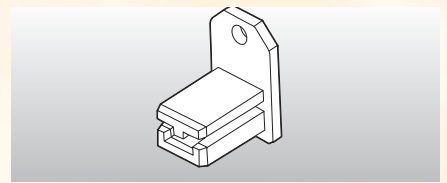
25630-03SU 10



End cap with ring (532)

Suits poster rail III, for a neat closing and suspension by the integrated ring, grey

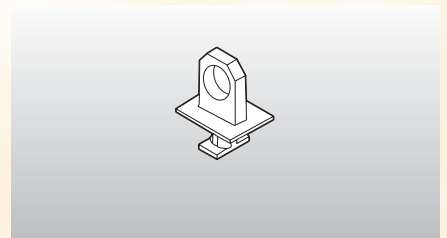
25735-03SU 10



Rail ring (531)

To be turned into rail II and III for both suspending the rail or frames, grey

25730-03SU 10



Suspension ring (501)

To suspend poster rail II and III, to be turned into top groove, clear

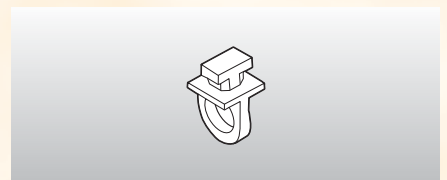
25700-00SU 10



Hanging ring (505)

To be turned into rail II and III for suspension of frames, clear

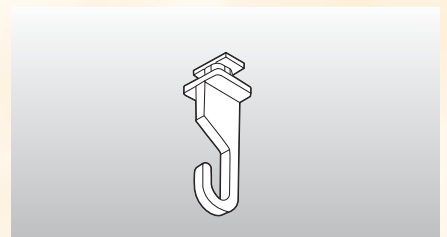
25710-00SU 10



Suspension hook (504)

Suits poster rail II and III, to be turned into the rail for suspension of frames or displays, clear

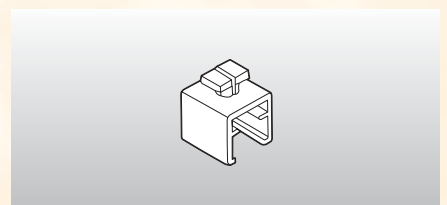
25750-00SU 10



Frame clip (511)

Suits poster rail II and III, to be turned into the rail to directly suspend frames A6 to A3 with lateral poster insert, clear

25740-00SU 10

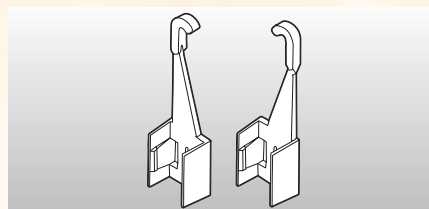


Hanging hook (pair) (507)



Suits poster rail II and III, to be hung directly into the rail to suspend frames A6 to A3 with top poster insert, clear

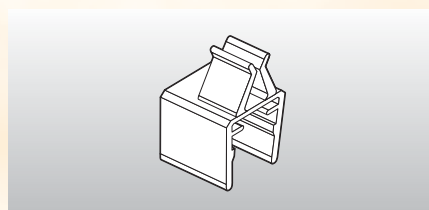
25760-00.....SU 10



Promotion card clip (540)

To fix promotion cards to poster rail II and III in a standing or hanging position, card thickness 0,3 - 2,0 mm, clear

25920-00.....SU 10



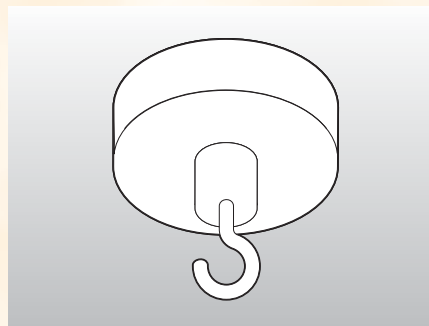
Magnet for ceiling



To suspend poster rails, poster pockets or similar by hooks, magnet force up to approx. 12 kgs (Ø 50 mm) or 8 kgs (Ø 32 mm), white

Ø 50 mm
20635-00.....SU 10

Ø 32 mm
20637-00.....SU 10

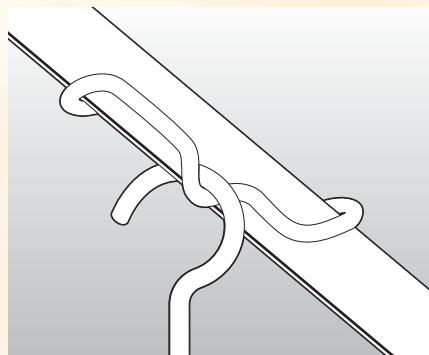


Wire ceiling clip 20



To suspend poster rails, poster pockets or similar by chains, to twist into suspended ceiling grids "Odenwald". Packing unit: 100 pcs.

20674-00.....SU 100

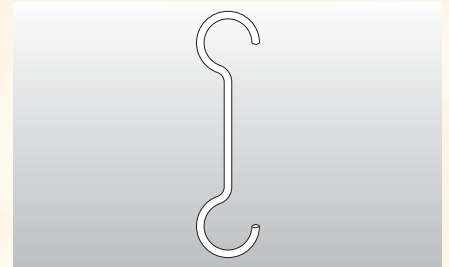




Universal hook

To hang poster rails, poster pockets or similar by knot chains or deco-chains, available in standard lengths 100, 150, 200, 250, 300, 400, 500 and 750 mm. Packing unit: 50 pcs.

24214-00/xxxSU 50



S-hook, 22 mm

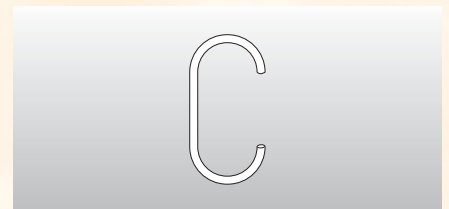
To hang poster rails, poster pockets or similar by knot chains or deco-chains, length 22 mm. Packing unit: 100 pcs.

20685-00SU 100

C-hook, 39 mm

To hang poster rails, poster pockets or similar by knot chains or deco-chains, length 39 mm. Packing unit: 250 pcs.

20683-00SU 250



Knot chain K16

To hang poster rails, poster pockets or similar. Packing unit: roll with 30 m.

20690-00SU 1



Poster pockets

Poster pocket made of non-reflective PVC 0,4mm, with rivet metallic rings, nickel plated for suspension. Packing unit: 10 pcs.

- A4**
29304-00SU 10
- A3**
29303-00SU 10
- A2**
29302-00SU 10
- A1**
29301-00SU 10

NEW!

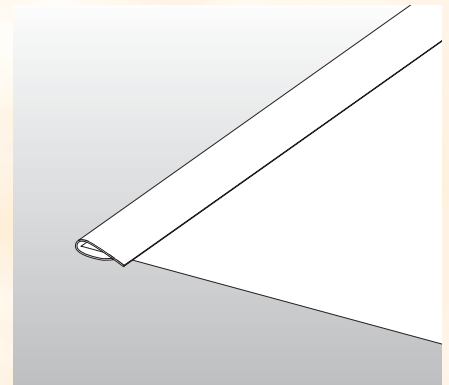
Clamp- & snap rails

You want to suspend big size posters? No problem when using OEK rails. The clamp and snap mechanism as well as the different profiles and materials are a guarantee for easy handling and outstanding design.

Poster clamp rail 15

Clear plastics, profile 15 mm, to insert papers from the side, upper rail with two cutted rings for suspension, 2-part set. Standard lengths 500, 600, 790 and 1200 mm. Packing unit: 10 sets.

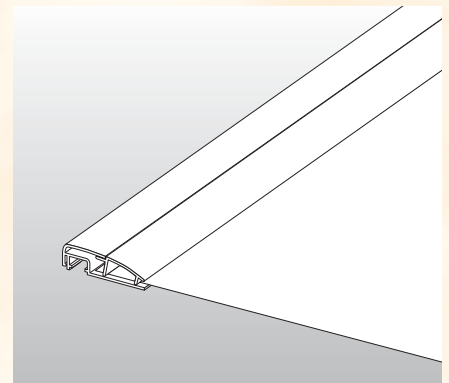
15440-00/xxxx.....SU 10



Poster clamp rail 18

Grey plastics, profile 18 mm with snap mechanism, for papers up to 1 mm thickness, upper rail with 2 suspension rings, rear adhesive, 2-part set. Standard lengths 600 and 980 mm. Packing unit: 10 sets.

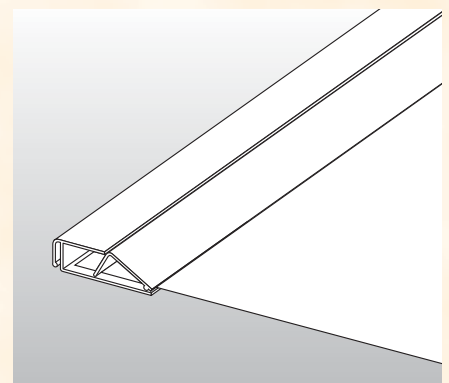
15451-03/xxxx.....SU 10



Poster clamp rail 36

Grey plastics, profile 36 mm with snap mechanism, for cartons up to 2 mm thickness, upper rail with 2 suspension rings, upper and lower rails with end caps and rear adhesive, 2-part set. Standard lengths 600 and 980 mm. Packing unit: 10 sets.

15461-03/xxxx.....SU 10

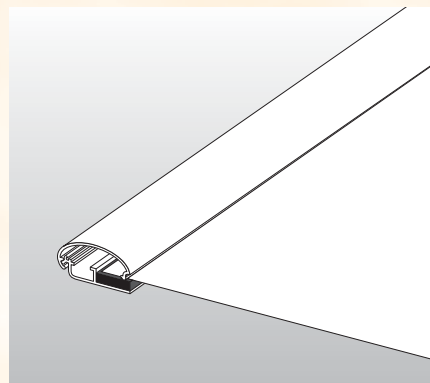




Alu-snap rail 25

Anodised aluminium, profile 25 mm with snap mechanism, for posters up to 3 mm thickness. India rubber strip for a secure clamp, upper rail with 2 suspension rings, upper and lower rail with grey end caps made of plastics, 2-part set. Standard lengths 500, 600, 700, 842, 900 and 1000 mm. Special lengths up to 2500 mm as from 10 sets upon request.

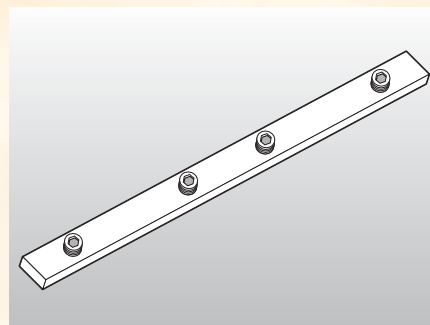
15470-90/xxxx.....SU 10



Connector for alu-snap rail

Metallic connector with 4 screws to connect snap rails to create lengths of more than 2500 mm. 2 connectors per set are necessary.

25609-00.....SU 20



Alu-clamp rail 40

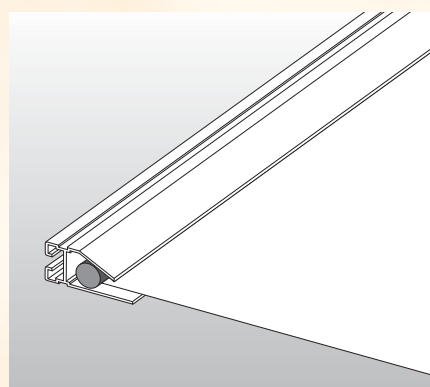
Anodised aluminium, profile 40 mm, to clamp papers, cartons up to a thickness of 3 mm. Also available with rear adhesive. Standard lengths 500 and 1000 mm. Special lengths up to 2500 mm as from 10 sets upon request.

Without adhesive

15600-90/xxxx.....SU 10

With adhesive

15601-90/xxxx.....SU 10



Suitable accessories for Alu-clamp rail 40 such as fastener for ceiling (538), wall (537) or suspension ring (502) you will find in chapter Accessories series 500.

Do you already know these?

OEK

Smart Ideas

for brisk sales.
Shelf divider and Pusher Systems

Innovative ideas at the POS.

OECHSLE
Display Systeme GmbH

www.oechsle.de

A guarantee for tidy shelves - quick and easy to install.

Bubesheimer Straße 13-15
D-89340 Leipheim
Postfach 1149
D-89336 Leipheim

Tel: +49 (0) 82 21 / 27 98 - 0
Fax: +49 (0) 82 21 / 27 98 - 27
E-Mail: info@oechsle.de
Internet: www.oechsle.de

Please request our complete documents.